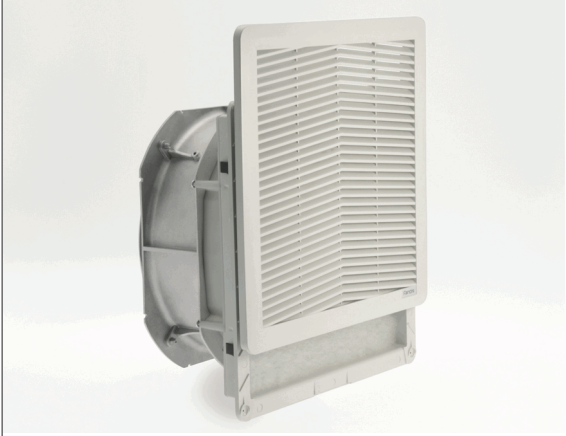


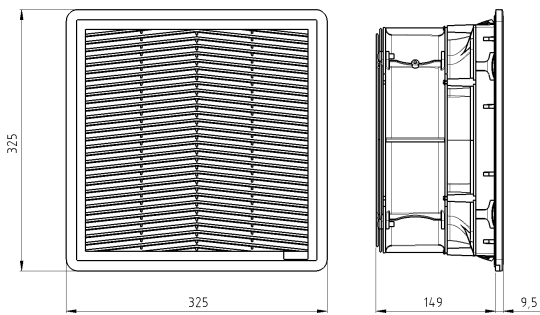
"FF20GA" SERIES FAN FILTERS

Description: **Fan Filters 115/230 Va.c.**

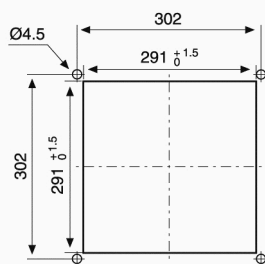


- Type of material:** PC/ABS Alloy, PA 66 GF13 HSL for elastic clips
- Standard color:** RAL 7035 - other colors on request
- Protection degree:** IP54, according to EN 60529 Std
- Fixing system:** by elastic clips
- Plate thickness:** from 1.3 mm to 3.7 mm (up to 4 mm with cut-out max tolerance)
- Motor Lifetime L10 at 25°C:** 53,000/78,000 h for 115V
57,500/70,000 h for 230V
- Working class of capacitor:** class B for 115V models
class A for 230V models
- Motor protection:** thermal
- Electrical connection:** by screwless terminal block L-N-PE,
2.5 mm² (20 - 14 AWG)
- Earth connection:** by PE pole
- Appliance class:** class I
- Type of filter media:** thermo-linked progressive structure synthetic fibre
- Filtering class:** G3, according to EN 779
- Degree of separation:** 85% - DIN 24185
- Dust retention capacity:** 600 g/m²
- Note:** filter media is washable about 10 times
- Weight:** 4.5 kg

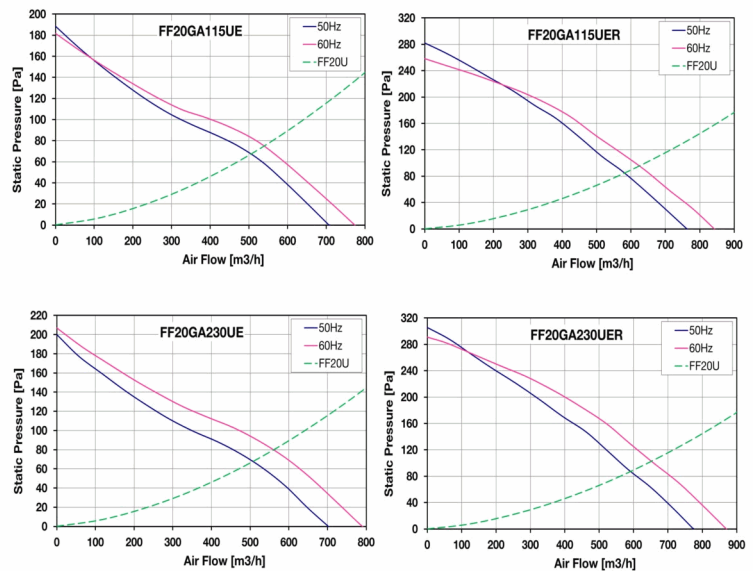
technical drawing



mounting cut-out



IP 54



Model	Voltage	Frequency	Rated Current	Rated Power	Max Air Flow**	Static Pressure	Fan Noise	Rated Temp. Range	Approvals
	(V)	(Hz)	(A)	(W)	(m3/h)	(Pa)	[db(A)]	(°C)	
FF20GA115UE	115 V a.c.	50/60	1.3/1.5	143/177	708/775	188/181	74.7/78.9	-10 ÷ +60	CE
FF20GA115UER	115 V a.c.	50/60	1.1/1.7	124/192	760/845	282/258	74.7/78.9	-10 ÷ +60	CE
FF20GA230UE	230 V a.c.	50/60	0.67/0.84	155/194	705/790	200/206	72.8/75.8	-10 ÷ +60	CE
FF20GA230UER	230 V a.c.	50/60	0.74/0.90	170/208	773/870	306/291	72.8/75.8	-10 ÷ +60	CE

data with uncertainty of 15%

All specifications, data and drawing are subject to change without notice. Please refer to our terms of sales including our warranty and limited liabilities clauses.